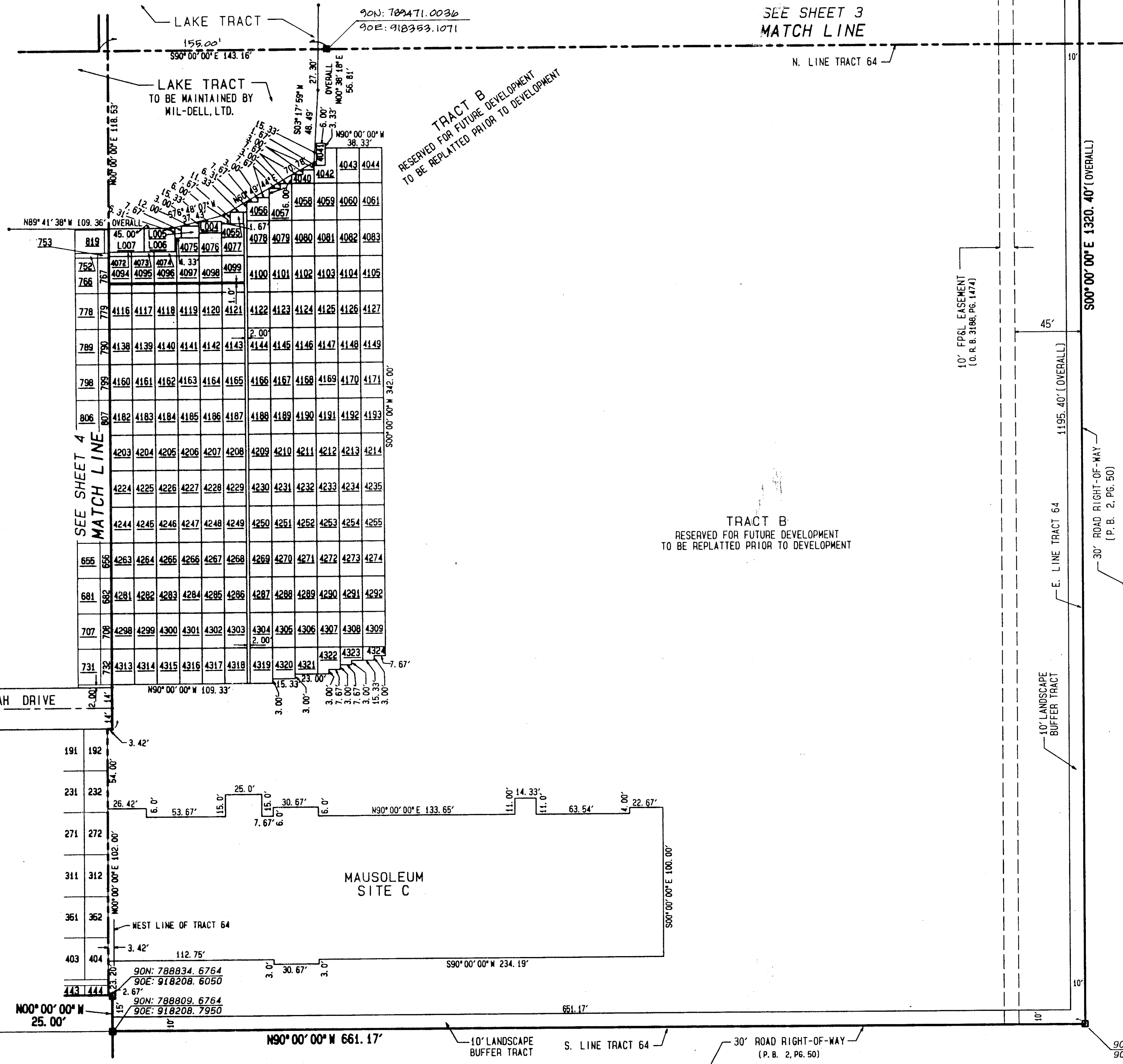
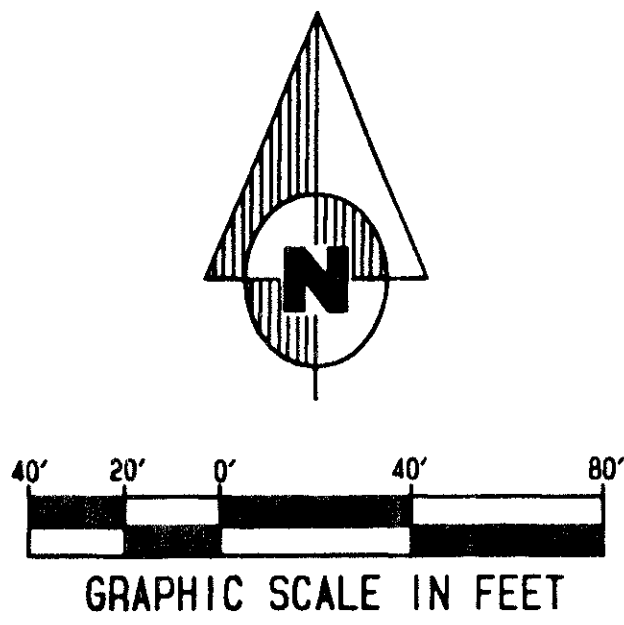
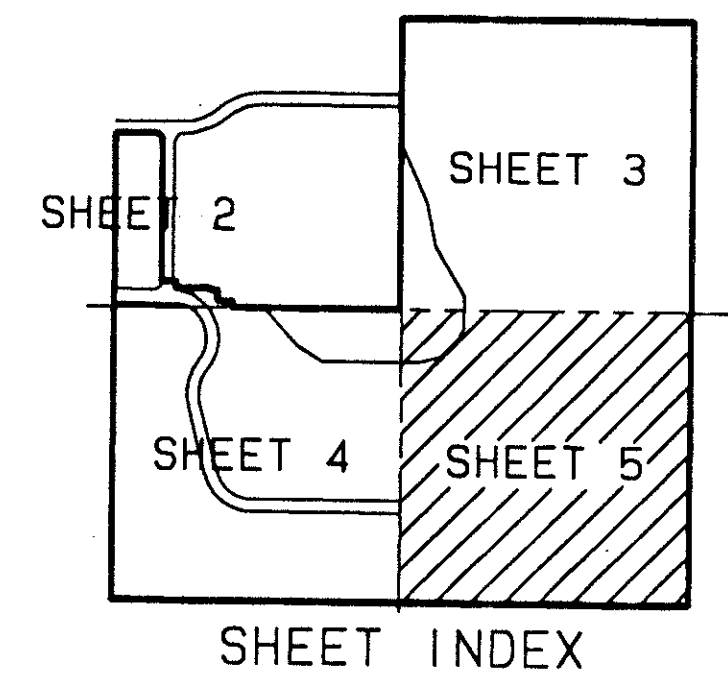


# ETERNAL LIGHT MEMORIAL GARDENS - V

0416-003

73

REPLAT OF A PORTION OF TRACTS 57 AND 58, ALL OF TRACT 64, BLOCK 60, ACCORDING TO THE PLAT OF PALM BEACH FARMS COMPANY PLAT No.3, AS RECORDED IN PLAT BOOK 2, PAGES 46 THROUGH 54, INCLUSIVE, PUBLIC RECORDS OF PALM BEACH COUNTY, FLORIDA; AND ETERNAL LIGHT MEMORIAL GARDENS - PLAT IV, ACCORDING TO THE PLAT THEREOF AS RECORDED IN PLAT BOOK 69, PAGES 6 THROUGH 7, INCLUSIVE, PUBLIC RECORDS OF PALM BEACH COUNTY, FLORIDA; AND A PORTION OF ETERNAL LIGHT MEMORIAL GARDENS - PLAT II, ACCORDING TO THE PLAT THEREOF AS RECORDED IN PLAT BOOK 54, PAGES 168 THROUGH 169, INCLUSIVE, PUBLIC RECORDS OF PALM BEACH COUNTY, FLORIDA.  
 LYING IN SECTION 31, TOWNSHIP 45 SOUTH, RANGE 42 EAST, PALM BEACH COUNTY, FLORIDA.  
 JANUARY 1998  
 SHEET 5 OF 5



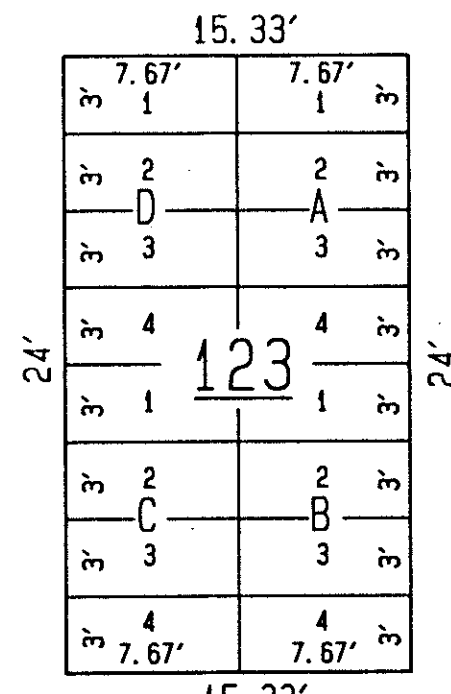
SEE SHEET 3  
MATCH LINE

TRACT B  
RESERVED FOR FUTURE DEVELOPMENT  
TO BE REPLATTED PRIOR TO DEVELOPMENT

TRACT B  
RESERVED FOR FUTURE DEVELOPMENT  
TO BE REPLATTED PRIOR TO DEVELOPMENT

- LEGEND:**
- P.B. ■ PLAT BOOK
  - PG. ■ PAGE
  - P.R.M. ■ PERMANENT REFERENCE MONUMENT
  - ▲ DELTA ANGLE
  - ⌒ ARC LENGTH
  - CHORD BEARING
  - OR.B. ■ OFFICIAL RECORD BOOK
  - D.B. ■ DEED BOOK
  - D.T. ■ DRAINAGE TRACT
  - F.P.&L. ■ FLORIDA POWER & LIGHT
  - C/L ■ CENTERLINE
  - DENOTES SET P.R.M. UNLESS OTHERWISE NOTED
  - DENOTES FOUND P.R.M. AS NOTED
  - DENOTES SET PERMANENT CONTROL POINT (P.C.P.)

**NOTES:**  
**COORDINATES, BEARINGS, & DISTANCES**  
 COORDINATES SHOWN ARE GRID  
 DATUM = NAD 83 1990 ADJUSTMENT  
 ZONE = FLORIDA EAST  
 LINEAR UNIT = US SURVEY FEET  
 COORDINATE SYSTEM = 1983 STATE PLANE  
 TRANSVERSE MERCATOR PROJECTION  
 ALL DISTANCES ARE GROUND  
 SCALE FACTOR = 1.00001871  
 GROUND DISTANCE x SCALE FACTOR = GRID DISTANCE  
 BEARING ROTATION PLAT TO GRID  
 00°26'06" COUNTERCLOCKWISE



15.33'  
BLOCK LAYOUT "B"  
DESIGNATED WITH UNDERLINED BLOCK NUMBERS (TYPICAL)

*Per. 79-137*

*82/73*

*0916-003*

BOOK  
 PAGE  
 FLOOD ZONE  
 FLOOD MAP  
 ZONING  
 MAP  
 ZIP CODE  
 SEE NAME

**Dailey-Fotony, inc.**  
 land surveyors - planners  
 5050 10th Avenue North Suite A - Lake Worth FL 33463-2062  
 Phone: 561-965-8787 Fax: 561-965-8863